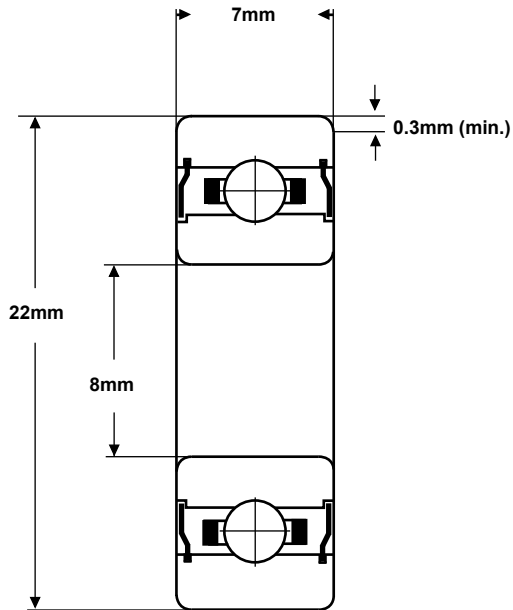


# SMB Bearings

# Radial Ball Bearing

Part Number: CB608TW-2RUP5C3LDS18-20%



<b>Material (rings &amp; balls)</b>	Chrome steel rings Si3N4 balls
<b>Material (cage)</b>	Polyamide
<b>Closures</b>	Non contact seals
<b>Load rating (stat)</b>	136 Kgf
<b>Load rating (dyn)</b>	327 Kgf
<b>Speed Limit *</b>	56,000 rpm
<b>Standard Lubrication</b>	Klueber Isoflex LDS 18 grease (20% fill)

\* with adequate lubrication

**These bearings comply with EU ROHS and REACH regulations.**

<b>RADIAL PLAY</b>	<b>C2</b>	<b>CN</b>	<b>C3</b>	<b>C4</b>
(microns)	0 - 7	2 - 13	8 - 23	14 - 29

<b>TOLERANCE</b>	<b>P0</b>	<b>P6</b>	<b>P5</b>
<b>Bore Deviation</b>	+0 / -0.008mm	+0 / -0.007mm	+0 / -0.005mm
<b>OD Deviation</b>	+0 / -0.009mm	+0 / -0.008mm	+0 / -0.006mm
<b>Width Deviation</b>	+0 / -0.120mm	+0 / -0.120mm	+0 / -0.040mm
<b>Single Bore Variation</b>	8	7	4
<b>Single OD Variation</b>	9	8	5
<b>Inner Width Variation</b>	15	15	5
<b>Outer Width Variation</b>	15	15	5
<b>Inner Radial Runout</b>	10	6	4
<b>Outer Radial Runout</b>	15	9	6

SMB Bearings take no responsibility for any errors or omissions in this data sheet. We reserve the right to change specifications without prior notice. We recommend that adequate testing is carried out on products before they are determined as suitable for an application.