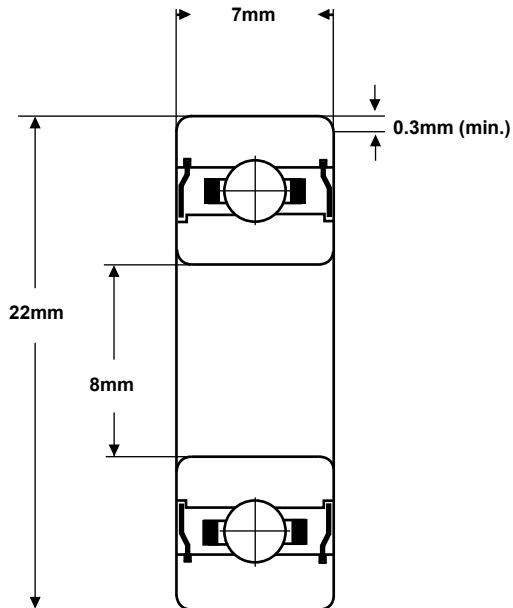


SMB Bearings

Radial Ball Bearing

Part Number: 608TW-2RUP5C3LDS18-20%



Material (rings & balls)	SAE52100 chrome steel
Material (cage)	Polyamide
Closures	Non contact seals
Load rating (stat)	136 Kgf
Load rating (dyn)	327 Kgf
Speed Limit *	48,000 rpm
Standard Lubrication	Klueber Isoflex LDS 18 grease (20% fill)

* with adequate lubrication

These bearings comply with EU ROHS and REACH regulations.

RADIAL PLAY	C2	CN	C3	C4
(microns)	0 - 7	2 - 13	8 - 23	14 - 29

TOLERANCE	P0	P6	P5
Bore Deviation	+0 / -0.008mm	+0 / -0.007mm	+0 / -0.005mm
OD Deviation	+0 / -0.009mm	+0 / -0.008mm	+0 / -0.006mm
Width Deviation	+0 / -0.120mm	+0 / -0.120mm	+0 / -0.040mm
Single Bore Variation	8	7	4
Single OD Variation	9	8	5
Inner Width Variation	15	15	5
Outer Width Variation	15	15	5
Inner Radial Runout	10	6	4
Outer Radial Runout	15	9	6

SMB Bearings take no responsibility for any errors or omissions in this data sheet. We reserve the right to change specifications without prior notice. We recommend that adequate testing is carried out on products before they are determined as suitable for an application.