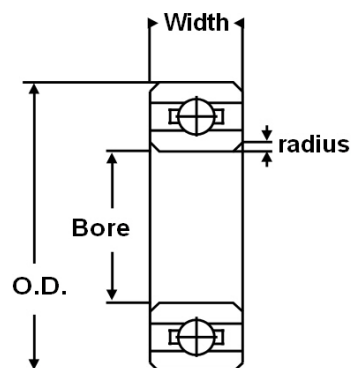


Thin-section Bearings

Metric series for shaft sizes from 10mm to 50mm

Chrome steel or stainless steel

Thin-section bearings can be supplied in SAE52100 chrome steel and AISI440C or KS440 (ACD34/X65Cr13) stainless steel.. They can withstand heavy radial loads and moderate thrust loads in both directions.



Bore	O. D.	r.min	Width	Open	Shielded	Sealed	Max Load kgf		RPM (x1000)
				SMB Ref.	SMB Ref.	SMB Ref.	Dyn	Stat	
<i>Dimensions in mm.</i>									
<i>Max loads: actual loads should be well below figures shown for acceptable bearing life.</i>									
<i>Max RPM: will be reduced for certain lubricants, closures, loads etc (see Technical)</i>									
10	15	0.15	3	6700			87	44	17
	15	0.15	4		6700ZZ	6700-2RS	87	44	17
	19	0.3	5	6800	6800ZZ	6800-2RS	175	85	41
	19	0.3	6		6800ZZW6	6800-2RSW6	175	85	41
	19	0.3	7		6800ZZW7	6800-2RSW7	175	85	41
	22	0.3	6	6900	6900ZZ	6900-2RS	265	125	36
12	18	0.2	4	6701	6701ZZ	6701-2RS	94	54	15
	21	0.3	5	6801	6801ZZ	6801-2RS	195	106	36
	21	0.3	7		6801ZZW7	6801-2RSW7	195	106	36
	24	0.3	6	6901	6901ZZ	6901-2RS	280	140	32
13	24	0.3	6	6901-13	6901ZZ-13	6901-2RS-13	280	140	32



Thin-section Bearings

*Metric series for shaft sizes from 10mm to 50mm
Chrome steel or stainless steel*

Bore	O. D.	r.min	Width	Open	Shielded	Sealed	Max Load kgf		RPM (x1000)
				SMB Ref.	SMB Ref.	SMB Ref.	Dyn	Stat	
15	20	0.15	3.5	ET2015			96	59	26
	21	0.15	3.5	ET2115			96	59	26
	21	0.2	4	6702	6702ZZ	6702-2RS	96	59	13
	24	0.3	5	6802	6802ZZ	6802-2RS	211	128	31
	24	0.3	7		6802ZZW7	6802-2RSW7	211	128	31
	28	0.3	7	6902	6902ZZ	6902-2RS	440	230	28
16	22	0.15	4	ET2216			99	63	24
	23	0.15	4.5	ET2316	ET2316ZZ		99	63	24
17	23	0.2	4	6703	6703ZZ	6703-2RS	102	67	11
	26	0.3	5	6803	6803ZZ	6803-2RS	225	135	29
	26	0.3	7		6803ZZW7	6803-2RSW7	225	135	29
	30	0.3	7	6903	6903ZZ	6903-2RS	455	250	25
	32	0.3	8	6903A	6903AZZ		455	250	25
18	24	0.15	4	ET2418			101	67	21



Thin-section Bearings

Metric series for shaft sizes from 10mm to 50mm

Chrome steel or stainless steel



Bore	O. D.	r.min	Width	Open	Shielded	Sealed	Max Load kgf		RPM (x1000)
				SMB Ref.	SMB Ref.	SMB Ref.	Dyn	Stat	
20	25	0.15	4	ET2520	ET2520ZZ		103	70	20
	27	0.2	4	6704	6704ZZ	6704-2RS	106	74	10
	32	0.3	7	6804	6804ZZ	6804-2RS	410	250	24
	32	0.3	10	6804W10	6804ZZW10	6804-2RSW10	410	250	24
	37	0.3	9	6904	6904ZZ	6904-2RS	650	375	21
25	32	0.2	4	6705		6705-2RS	110	85	8
	37	0.3	7	6805	6805ZZ	6805-2RS	435	290	20
	37	0.3	10	6805W10	6805ZZW10	6805-2RSW10	435	290	20
	42	0.3	9	6905	6905ZZ	6905-2RS	710	460	18
30	37	0.2	4	6706		6706-2RS	115	95	7
	42	0.3	7	6806	6806ZZ	6806-2RS	460	340	18
	42	0.3	10	6806W10	6806ZZW10	6806-2RSW10	460	340	18
	47	0.3	9	6906	6906ZZ	6906-2RS	730	510	16
35	44	0.3	5	6707		6707-2RS	190	165	6
	47	0.3	7	6807	6807ZZ	6807-2RS	480	390	16
	55	0.6	10	6907	6907ZZ	6907-2RS	1110	790	14



Thin-section Bearings

Metric series for shaft sizes from 10mm to 50mm

Chrome steel or stainless steel

Bore	O. D.	r.min	Width	Open	Shielded	Sealed	Max Load kgf		RPM (x1000)
				SMB Ref.	SMB Ref.	SMB Ref.	Dyn	Stat	
40	50	0.3	6	6708		6708-2RS	250	225	5
	52	0.3	7	6808	6808ZZ	6808-2RS	500	425	14
	62	0.6	12	6908	6908ZZ	6908-2RS	1390	1015	12
45	55	0.3	6	6709		6709-2RS	265	245	4
	58	0.3	7	6809	6809ZZ	6809-2RS	630	545	12
	68	0.6	12	6909	6909ZZ	6909-2RS	1440	1105	11
50	65	0.5	7	6810	6810ZZ	6810-2RS	680	590	11
	72	1	12	6910	6910ZZ	6910-2RS	1510	1180	10