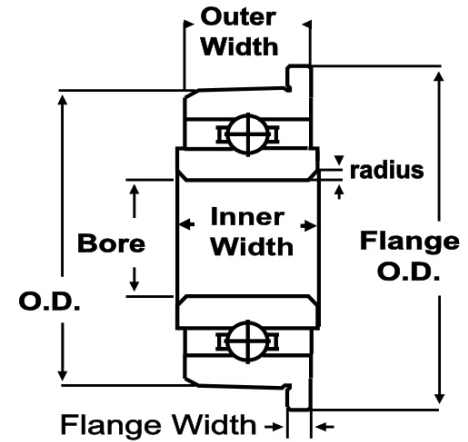




Taper O.D Bearings

Imperial series for shaft sizes from 0.125" to 0.3125"

Taper O.D. bearings have a flange on the outer ring, a wider inner ring and an outer ring that is slightly tapered for fitting into soft steel or sheet metal. They can withstand heavy radial loads and moderate thrust loads in both directions.



Bore	O.D.	Flange O.D.	r.min. (mm)	Outer Width	Inner Width	Flange Width	OD Taper per foot	SMB Ref.	Max Load kgf	
									Dyn.	Stat.
<i>Dimensions in inches except radius</i>										
0.125	0.3757	0.438	0.3	0.163	0.188	0.037	0.075	F2ZZ	30	13
0.1875	0.4375	0.5	0.3	0.163	0.188	0.042	0.075	F2V	104	59
	0.5632	0.625	0.3	0.163	0.188	0.042	0.068	F3ZZ	63	30
0.25	0.6257	0.687	0.3	0.226	0.25	0.042	0.068	F4ZZ	70	34
0.3125	0.6882	0.75	0.3	0.226	0.25	0.042	0.068	F5ZZ	168	62