

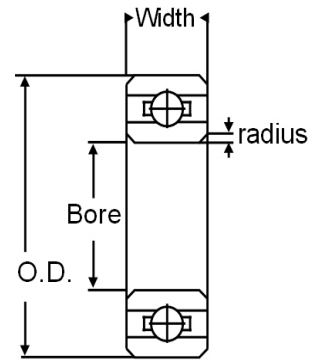


Miniature Bearings/Small Bearings

Metric series for shaft sizes from 0.6mm to 9mm

Chrome steel and stainless steel

This series can be supplied in SAE52100 chrome steel and 440 grade stainless steel and can withstand heavy radial loads and moderate thrust loads in both directions.



Bore	O.D.	r.min.	Open Bearing		Shielded Bearing		Sealed Bearing		Max Load kgf		RPM (x1000)
			Width	SMB Ref.	Width	SMB Ref.	Width	SMB Ref.	Dyn	Stat	
<i>Dimensions in mm.</i>											
<i>Max loads: actual loads should be well below figures shown for acceptable bearing life (see Technical)</i>											
<i>Max RPM: will be reduced for certain lubricants, closures, loads etc (see Technical)</i>											
0.6	2.5	0.05	1	68/0.6					5	1	160
1	3	0.05	1	681					7	2	150
	3	0.05	1.5	MR31					7	2	150
	4	0.1	1.6	691					13	4	120
1.2	4	0.1	1.8	MR41X	2.5	MR41XZZ			10	3	120
1.5	4	0.05	1.2	681X	2	681XZZ			10	3	115
	5	0.15	2	691X	2.6	691XZZ			16	5	100
	6	0.15	2.5	601X	3	601XZZ			33	10	90
2	4	0.08	1.2	672					10	3	104
	5	0.08	1.5	682	2.3	682ZZ			16	5	100
	5	0.1	2	MR52	2.5	MR52ZZ			16	5	100
	6	0.15			2.3	692ZZW23			33	10	85
	6	0.15	2.3	692	3	692ZZ			33	10	85
	6	0.15	2.5	MR62	2.5	MR62ZZ			33	10	85
	7	0.15	2.5	MR72	3	MR72ZZ			38	13	73
	7	0.15	2.8	602	3.5	602ZZ			38	13	68



Miniature Bearings/Small Bearings

Metric series for shaft sizes from 0.6mm to 9mm

Chrome steel and stainless steel



Bore	O.D.	r.min.	Open Bearing		Shielded Bearing		Sealed Bearing		Max Load kgf		RPM (x1000)
			Width	SMB Ref.	Width	SMB Ref.	Width	SMB Ref.	Dyn	Stat	
2.5	6	0.08	1.8	682X	2.6	682XZZ			19	6	82
	7	0.15	2.5	692X	3.5	692XZZ			37	12	75
	8	0.2	2.5	MR82X					55	18	70
	8	0.15			2.8	602XZZW28			55	18	70
	8	0.15	2.8	602X	4	602XZZ			55	18	70
3	6	0.1	2	MR63	2.5	MR63ZZ			20	7	80
	7	0.1	2	683	3	683ZZ			30	10	75
	8	0.15	2.5	MR83	3	MR83ZZ			41	16	65
	8	0.15	3	693	4	693ZZ			57	18	65
	9	0.2	2.5	MR93	4	MR93ZZ			58	19	65
	9	0.15	3	603	5	603ZZ			58	19	65
	10	0.15	4	623	4	623ZZ	4	623-2RS	62	20	60
	13	0.2	5	633	5	633ZZ	5	633-2RS	130	50	45
3.5	9	0.1			4	684ZZB35			65	22	62
	10	0.15			4	623XZZ			62	20	60
4	7	0.1	2	MR74	2.5	MR74ZZ			29	9	65
	8	0.15	2	MR84	3	MR84ZZ			38	12	65
	9	0.15			3.5	684ZZW35			65	22	62
	9	0.1	2.5	684	4	684ZZ	4	684-2RS	65	22	62
	10	0.2	3	MR104	4	MR104ZZ			60	19	54
	11	0.15	4	694	4	694ZZ	4	694-2RS	96	35	54
	12	0.2	4	604	4	604ZZ	4	604-2RS	96	35	54
	13	0.2	5	624	5	624ZZ	5	624-2RS	130	50	50
	16	0.3	5	634	5	634ZZ	5	634-2RS	135	55	41



Miniature Bearings/Small Bearings

Metric series for shaft sizes from 0.6mm to 9mm

Chrome steel and stainless steel



Bore	O.D.	r.min.	Open Bearing		Shielded Bearing		Sealed Bearing		Max Load kgf		RPM (x1000)
			Width	SMB Ref.	Width	SMB Ref.	Width	SMB Ref.	Dyn	Stat	
5	8	0.1	2	MR85	2.5	MR85ZZ			21	10	63
	9	0.15	2.5	MR95	3	MR95ZZ			42	16	60
	10	0.15	3	MR105	4	MR105ZZ	4	MR105-2RS	42	16	60
	11	0.15			4	MR115ZZ	4	MR115-2RS	73	30	52
	11	0.15	3	685	5	685ZZ	5	685-2RS	73	30	52
	13	0.2	4	695	4	695ZZ	4	695-2RS	110	42	48
	13	0.2			5	695ZZW5	5	695-2RSW5	110	42	48
	14	0.2	5	605	5	605ZZ	5	605-2RS	135	50	48
	16	0.3	5	625	5	625ZZ	5	625-2RS	175	68	43
	19	0.3	6	635	6	635ZZ	6	635-2RS	225	88	38
6	10	0.15	2.5	MR106	3	MR106ZZ	3	MR106-2RS	50	19	52
	12	0.2	3	MR126	4	MR126ZZ	4	MR126-2RS	70	30	49
	13	0.15			4.5	686ZZW45	4.5	686-2RSW45	105	40	49
	13	0.15	3.5	686	5	686ZZ	5	686-2RS	105	40	49
	15	0.2	5	696	5	696ZZ	5	696-2RS	135	52	45
	16	0.2	5	696A	5	696AZZ	5	696A-2RS	135	52	45
	17	0.3	6	606	6	606ZZ	6	606-2RS	218	83	45
	19	0.3			5.15	626ZZW51	5.15	626-2RSW51	225	88	40
	19	0.3	6	626	6	626ZZ	6	626-2RS	225	88	40
	22	0.3	7	636	7	636ZZ	7	636-2RS	335	140	35
7	11	0.15	2.5	MR117	3	MR117ZZ			45	20	50
	13	0.2	3	MR137	4	MR137ZZ			50	25	48
	14	0.15	3.5	687	5	687ZZ	5	687-2RS	120	50	50

7mm bore continued on next page



Miniature Bearings/Small Bearings

Metric series for shaft sizes from 0.6mm to 9mm

Chrome steel and stainless steel



Bore	O.D.	r.min.	Open Bearing		Shielded Bearing		Sealed Bearing		Max Load kgf		RPM x1000
			Width	SMB Ref.	Width	SMB Ref.	Width	SMB Ref.	Dyn	Stat	
7 (cont)	14	0.15	4	687W4					120	50	50
	17	0.3	5	697	5	697ZZ	5	697-2RS	155	70	41
	19	0.3	6	607	6	607ZZ	6	607-2RS	225	88	41
	22	0.3	7	627	7	627ZZ	7	627-2RS	330	135	35
	26	0.3	9	637	9	637ZZ	9	637-2RS	460	200	32
8	12	0.15	2.5	MR128	3.5	MR128ZZ			50	26	46
	14	0.2	3.5	MR148	4	MR148ZZ			80	38	43
	16	0.2			4	688ZZW4	4	688-2RSW4	120	58	41
	16	0.2	4	688	5	688ZZ	5	688-2RS	120	58	41
	16	0.2			6	688ZZW6	6	688-2RSW6	120	58	41
	19	0.3	6	698	6	698ZZ	6	698-2RS	225	88	41
	19	0.3			9	698ZZW9			225	88	41
	22	0.3	6	608W6					330	135	39
	22	0.3	7	608	7	608ZZ	7	608-2RS	330	135	39
	22	0.3			11		11	608-2RSW11	330	135	39
	24	0.3	8	628	8	628ZZ	8	628-2RS	335	140	34
28	0.3	9	638	9	638ZZ	9	638-2RS	460	200	32	
9	14	0.1	3	679	4.5	679ZZ			93	47	40
	17	0.2	4	689	5	689ZZ	5	689-2RS	130	65	42
	17	0.2			6	689ZZW6	6	689-2RSW6	130	65	42
	20	0.3	6	699	6	699ZZ	6	699-2RS	240	105	39
	24	0.3	7	609	7	609ZZ	7	609-2RS	335	140	36
	26	0.3	8	629	8	629ZZ	8	629-2RS	460	200	33
	30	0.6	10	639	10	639ZZ	10	639-2RS	475	210	29